



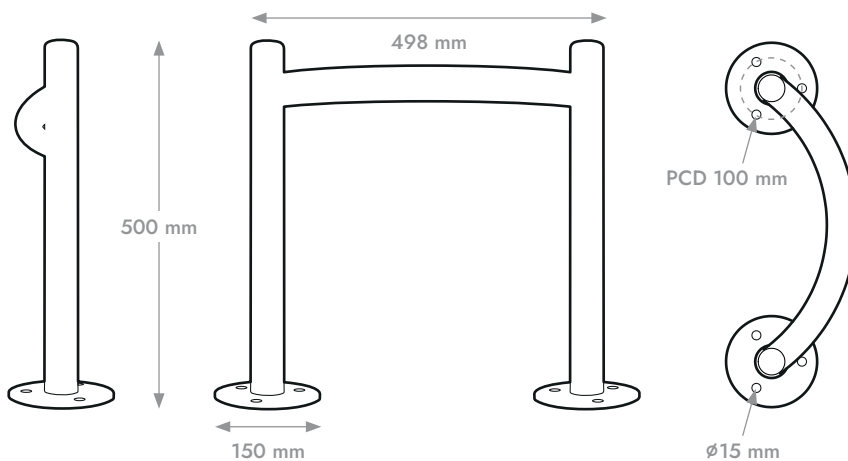
# Crash barrier Datasheet

The H-Style EV Charger Crash Barrier provides cost effective protection from accidental damage by vehicles



## RANGE FEATURES & SPECIFICATIONS

<b>CODE :</b>	<b>EVACBHSS</b>
<b>TYPE :</b>	'H' STYLE EV CRASH BARRIER
<b>INSTALLATION AREAS :</b>	SURFACE INSTALLATION - INTERNAL / EXTERNAL
<b>DIMENSIONS (MM):</b>	500 (H) x 498 (W). BASE PLATE 150 O/D SURFACE FIX 500 (H)
<b>MATERIAL :</b>	48MMØ CORROSION RESISTANT STAINLESS STEEL (306) TUBE
<b>COLOUR :</b>	STAINLESS STEEL 306
<b>WARRANTY :</b>	3 YEARS
<b>NOTES :</b>	GROUND FIXINGS NOT INCLUDED. X6 REQUIRED



View the full range at [syncev.co.uk](https://syncev.co.uk)

Information correct  
as of 07/2023