



io6

# Workplace EV Charging

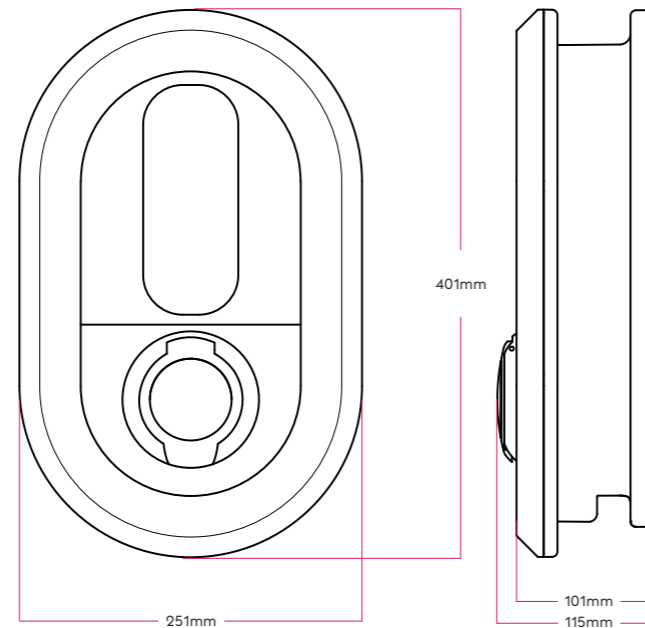


Designed and manufactured in Netherlands by Ratio specifically for the UK Market. Fully compliant with the UK Regulation

# io6 Specifications

## Features

- ⚡ **Easy installation**
- ⚡ **Fully protected**
- ⚡ **Single and three phase** up to 32A
- ⚡ Options for **coiled, tethered** or **untethered** connections
- ⚡ **Ratio app**; for fast commissioning, access control and security
- ⚡ **Optional io6 Sense** available for PV integration and dynamic load management
- ⚡ **PEN fault** on single phase devices
- ⚡ **Power sharing of up to 4 devices** on a single mains feed
- ⚡ **Fully compliant** with The Electric Vehicles (Smart Charging Points) Regulations 2021
- ⚡ **Over the air updates**
- ⚡ **Fully maintainable** and serviceable
- ⚡ **Single and twin mounting columns** available to special order
- ⚡ **OCPP 1.6 compliant**
- ⚡ **OCPP enables connection** to any 3rd party back office
- ⚡ **OZEV grant approved**
- ⚡ **Ethernet port, WiFi or 4G connectivity** to provide optional back office control
- ⚡ **RFID access**



## App Based Technology

The free Ratio app is used by the installer to commission the io6 and grants the end user complete access to monitor the charger's performance, track charging sessions, and identify the EVs that have utilised the io6. Additionally, the app prevents use by unauthorised parties and the option to configure daily charging schedules, charging using solar power and the ability to quickly override the timed charging sessions to instigate a quick top up when you need it!



## Load Management and Solar Compatibility

The io6 is available with additional hardware (the io6 Sense) which enables dynamic load management and solar compatibility. Dynamic load management monitors the building supply and usage, calculating the power available and reporting this information to the io6. In the event of a significant increase in electrical load, the io6 reduces its consumption to prevent overloading the building's supply. Once the consumption in the building decreases, the io6 will increase the supply of electricity to the EV.

**Dynamic load management**  
Automatically optimise your power supply safely from your mains connection

**Ratio EV charging app**  
Provides full control and visibility over your charging sessions (Android and iOS)

**Easy installation**  
Smart housing design allows quick mounting and cable connections

**OCPP compliant**  
Enables connection to any 3rd party back office

## io6 Charging

The optional io6 Sense allows for dynamic load management, maximising power delivery. The io6 also integrates with solar panels, and four io6 chargers can be connected to the same supply and share the available power, future proofing the installation for additional devices in the future.

RFID/OCPP | Pen Fault | io6 Sense can be added

Part Number	Description
io674SKT - W	io6 7.4kW Socket
io674T50 - W	io6 7.4kW, 5m
io674T75 - W	io6 7.4kW, 7.5m

RFID/OCPP | io6 Sense can be added

Part Number	Description
io622SKT - W	io6 11-22kW Socket
io622T50 - W	io6 11-22kW, 5m
io622T75 - W	io6 11-22kW, 7.5m

RFID/OCPP | Pen Fault | io6 Sense can be added | 4G

Part Number	Description
io674SKT	io6 4G 7.4kW Socket
io674T50	io6 4G 7.4kW, 5m
io674T75	io6 4G 7.4kW, 7.5m

RFID/OCPP | io6 Sense can be added | 4G

Part Number	Description
io622SKT	io6 4G 11-22kW Socket
io622T50	io6 4G 11-22kW, 5m
io622T75	io6 4G 11-22kW, 7.5m

### Dimensions and Specifications

Charging system	IEC 61851 Mode 3
Power input	Single phase or 3 phase, 230-400V AC, 16A and 32A
Power output	3,7kW, 7,4kW, 11kW, 22kW
Protections	6mA DC leakage, o-pen on single phase versions Requires separated 30mA Type A RCD to be installed at the fuse box
Housing	PC/ABS-V0
Dimensions	400mm x 250mm x 105mm
Weight	4kg
Enclosure rating	IP54
Operating temperature	-25 C to +40 C
Marking	UKCA

## Charging Accessories

Visit [ratioev.uk](http://ratioev.uk) for more info

To complement its charging solutions, Ratio also designs and manufactures a range of charging cables and mobile chargers, to connect to a wide range of electrical connections.



Learn about the **Ratio io5**



Learn about the **Ratio io7**



Unit 1 | Target Park | Shawbank Rd | Redditch | B98 8YN  
+44 (0) 1527 396900 | [info@ratioev.uk](mailto:info@ratioev.uk)

[ratioev.uk](http://ratioev.uk)