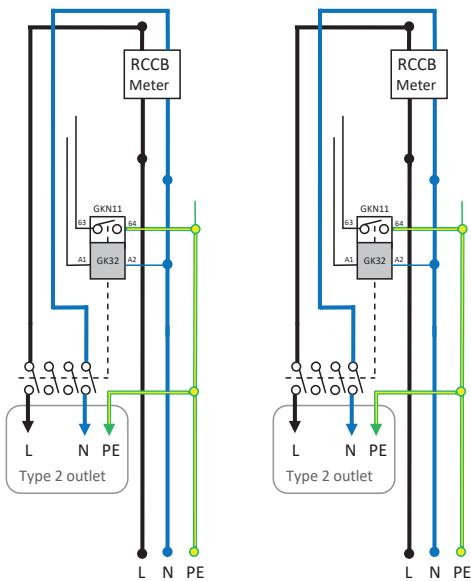


ENTITY Chargers

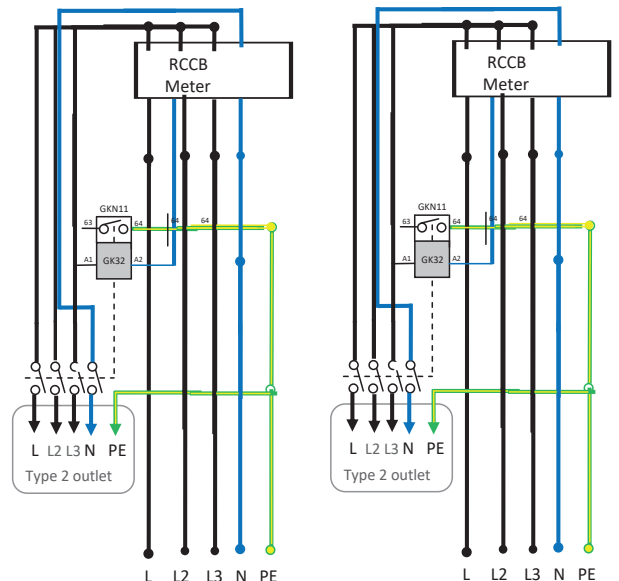
Type: EPCSO00332SIGIO



Charging Mode	Mode 3
Socket or Tethered Lead	Dual Sockets (type 11)
AC Output Current (A)	6,10,16,20,25,32
Power outlet [kW]	3.7KW,7.4KW, 11KW, 22KW
Rated voltage [V AC]	230 / 400
Frequency [Hz]	50
Temperature range [C]	-25...+40
Degree of protection (IP)	54
Weight(KG)	4.2
Location	Wall or Stand
DC Monitoring	Standard
Load management	Standard with ext. sensor
Meter	Standard
Auto Phase rotation	Standard
Communication	4G, Dual LAN, Mesh WiFi
RFID	Standard
Protocol	OCPP1.5 / 1.6
Certification	EN 61851-1, IEC 61439-7 ISO 15118



or





Dokument/document Försäkran om överensstämmelse/ Declaration of conformity		Utgåva datum/edition date 2023-04-13
Avdelning/department Produkt/Product		
Ansvarig/prepared Peter Magnusson	Version 5	Sida/page 1 av/of 1

Manufacturer/Tillverkare: GARO AB
Box 203
S-335 25 GNOSJÖ
Sweden

Telephone: +46 (0)370 33 28 00
Internet: www.garo.se

UK Address: Unit 16, Urban Express Park, Aston Hall Rd, Birmingham B6 7FH

Agent of equipment/Materielslag: Electric Charging Station for EV with Radio Equipment/Laddstation för elbil med tillhörande radio utrustning

Trade Mark/Varumärke: GARO

Type Designation/Typbeteckning: ENTITY EPC... serie

We hereby declare under our sole responsibility that our product fulfils the requirements of following EC directives/

Vi intygar härmed under vårt ensamma ansvar att vår produkt uppfyller krav enligt följande EU direktiv:

- The Low Voltage Directive (LVD) 2014/35/EU / Lågspänningsdirektivet (LVD) 2014/35/EU.**
- Electromagnetic compatibility (EMC) 2014/30/EU / Elektromagnetisk kompatibilitet (EMC) 2014/30/EU.**
- Radio Equipment Directive 2014/53/EU (RED) / Radiodirektivet (RED) 2014/53/EU.**
- RoHS Directive (RoHS) 2011/65/EU / RoHS direktivet (RoHS) 2011/65/EU.**
- The Electrical Equipment Safety Regulations 2016/UK / 2016 No 1101**
- The Electromagnetic Compatibility Regulations 2016/UK / 2016 No 1091**
- The Restriction of the Use of Hazardous Substances in Electrical and Electronic Equipment Regulations 2012/UK / 2012 No 3032**

The following harmonised standards (latest edition) or technical specifications which comply with good engineering practice in safety matters in force within the EU/UK have been used in the design:/

Följande harmoniserade standarder (senaste utgåva) eller tekniska specifikationer som uppfyller god säkerhetsteknik praxis inom EU/UK har använts i konstruktionen:

EN IEC 61851-1:2019
IEC/TS 61439-7:2020
EN 62311:2020
IEC 62955:2018
EN 60898-1
EN 61008-1

IEC 61851-21-2:2018 Other than residential environments
IEC 61000-6-3:2006/A1:2010
IEC 61000-6-2:2005
ETSI EN 301 489-17 V3.2.4
ETSI EN 301 489-52 V1.1.2
ETSI EN 301 489-1 V2.2.3
ETSI EN 301 489-3 V2.1.2

GARO AB
Company/Företag


Sign/Underskrift

CTO
Position/Befattning

Bo Eriksson
Sign in printed letters/Namnförtydligande

Gnosjö 2023-03-25
Place Date/Ort Datum


Statement of Compliance

Seller name	GARO Electric
Seller Address	16 Urban Express park, Aston Hall Road, Birmingham

Declares under sole responsibility that the relevant charge point,

Charge point make	GARO
Charge point model	Entity Pro
Software version at point of sale	5.20.1
Compliance with Schedule 1 security requirements	October 2023 The product conforms to schedule 1 from April 2023 except for "Secure Boot". GARO chargers will be updated for "Secure Boot" over air in October 2023
Details of Demand Side Response (DSR) agreement if present	N/A
Manufacturer name	GARO
Manufacturer address	16 Urban Express park, Aston Hall Road, Birmingham
Date of sale	2023

Complies with the device level requirements set out under the Electric Vehicles (Smart Charge Point) Regulations 2021, as detailed in the technical file (available on request).

Authorised to sign on behalf	
Name	Paul Fox
Date	2023



MANUFACTURED
IN EUROPE



COMPREHENSIVE
WARRANTIES



80 YEARS
OF EXPERTISE

GARO UK

Unit 16 Aston Hall Road, Birmingham B6 7FE

sales@garo.ie

www.garo.co.uk

0121 3899 444

