

# SIGMA PAYMENT KIOSKS

## Payter Apollo Installation Guide



# 1 Requirements



---

## Sigma Payment Kiosk

- Pedestal (left)
- Wall-mounted (right)

---

## Sigma Pedestal (back)

---

## Components Assembled



---

## Payter Apollo Adapter Cables:

1. MDB 6 to Molex Microfit 5 (Power Adaptor)
2. SMA to MMCX (4G/GSM)

Do not use the Payter supplied power plug, or 4G Sticker antenna



---

## Components included with the Payter Apollo:

1. Payter Apollo Terminal
2. EVA Mount Bracket
3. Front surround trim
4. 4G Sticker antenna (discard)
5. 3-Pin plug power (if supplied)



---

## 4G Sticker Antenna (if supplied)

---

Payter Apollo rear view  
– 4G Antenna Connections





Above is payter Apollo with its own black EVA mount, this fixes to our own Sigma EVA mount:

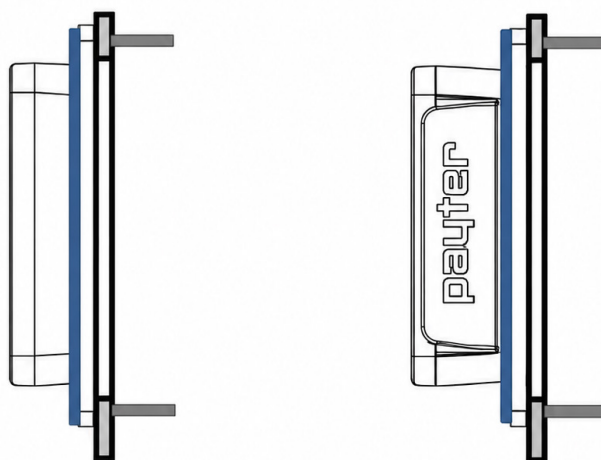
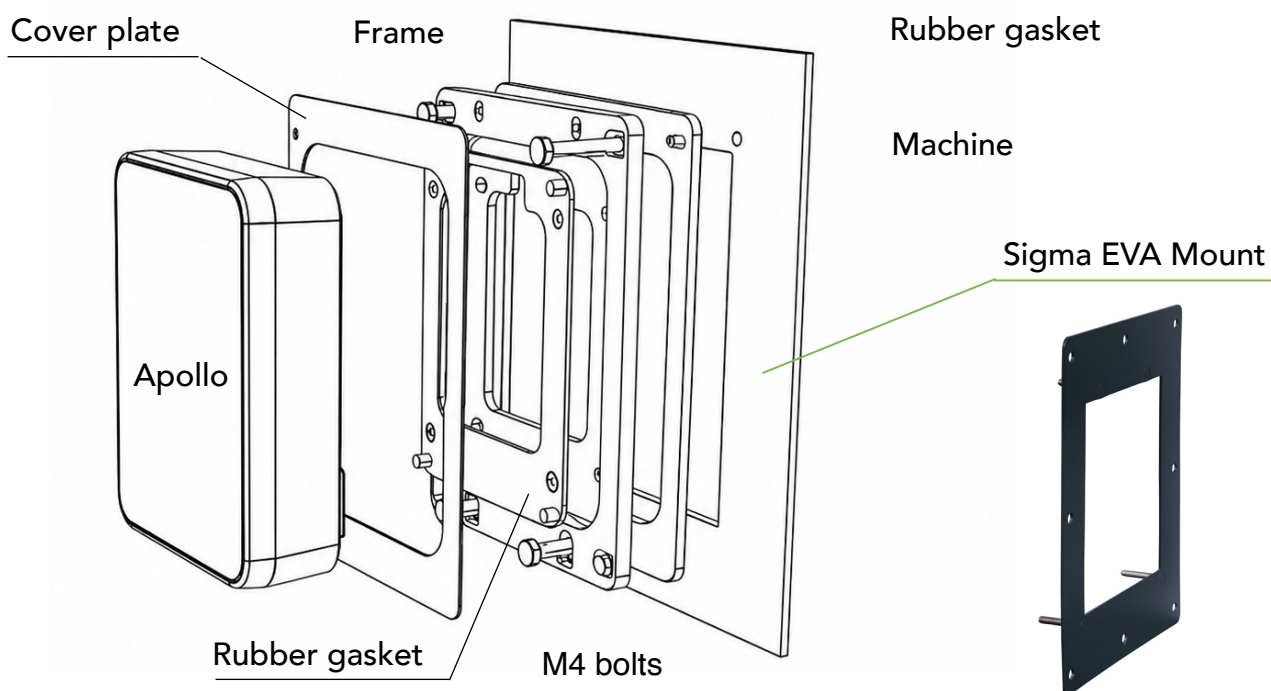


Figure: Section view of mounted Apollo terminal (left) and ApolloMax terminal (right)



## 2 Completed Installation



Charge-M8 Sigma  
Payter Apollo



payter

